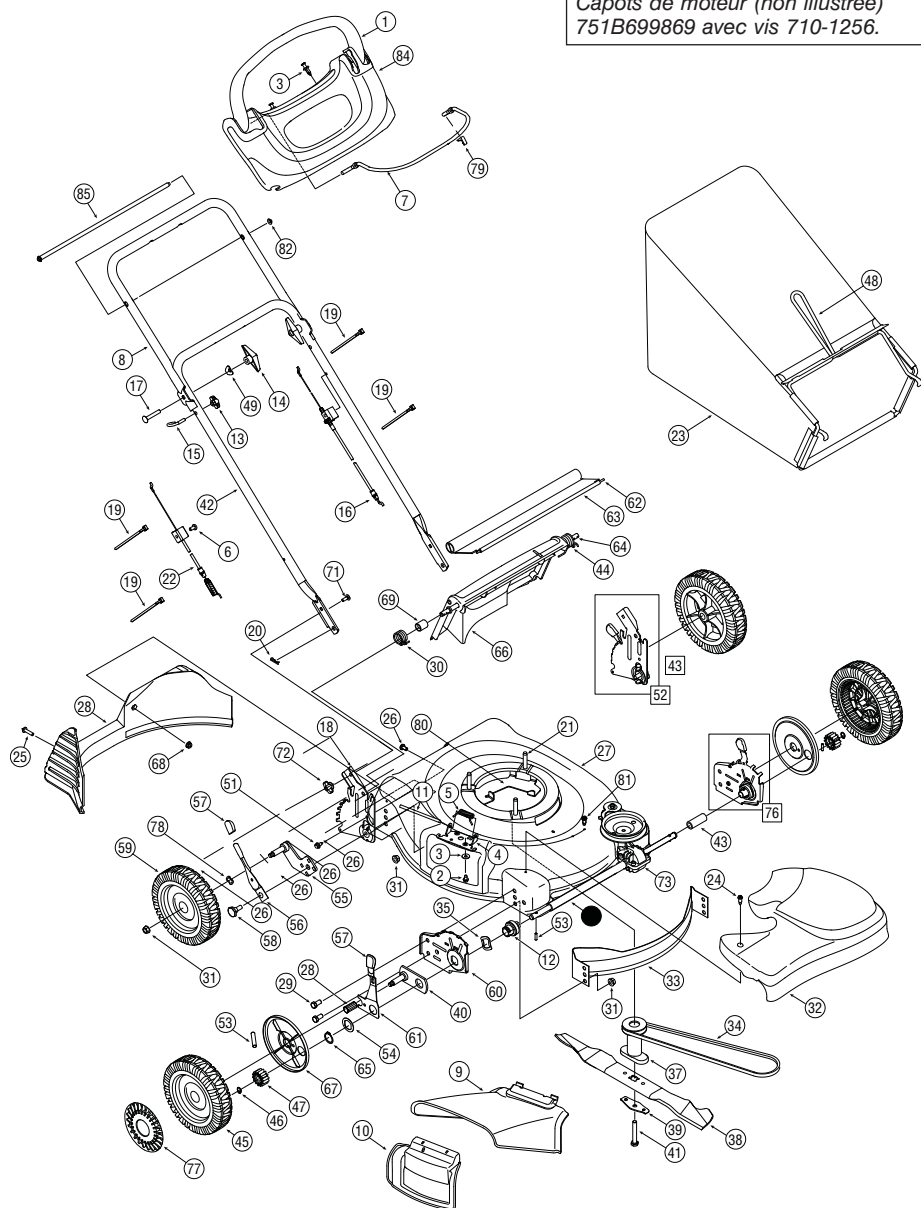


REPLACEMENT PARTS/PIÈCES DÉTACHÉES

Engine Shroud (not shown)
751B699869 with screw 710-1256/
Capots de moteur (non illustrée)
751B699869 avec vis 710-1256.



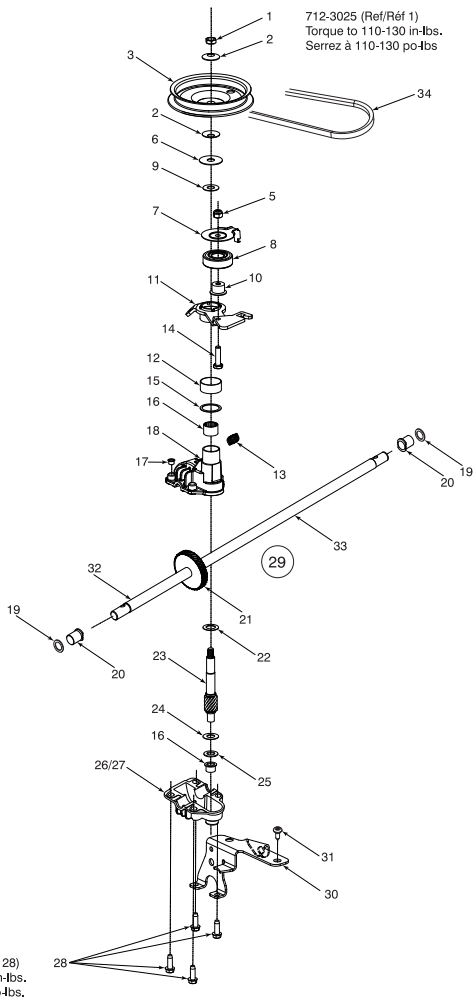
REF NO. N° DE RÉF	PART NO. N° DE PIÈCE	DESCRIPTION	DESCRIPTION
1	731-2647	Drive Control Handle	Poignée de commande d'embrayage de l'entraînement
2	710-0599	Hex Wash S-Tapp Scr 1/4-20 x .50	Vis autotaraudeuse à rondelle hex. 1/4-20 x 0,50
3	736-0270	Cupped Washer .265 ID x .75 OD x .062	Rondelle creuse 0,265 DI x 0,75 DE x 0,062
4	17032A	Chute Hinge	Charnière de déflecteur
5	732-1014	Torsion Spring	Ressort de torsion
6	710-0809	Hex TT Scr 1/4-20 X 1.250	Vis autotaraudée 1/4-20 X 1,250
7	747-2133A	Blade Control Handle	Poignée de commande de la lame
8	749-1507	Upper Handle	Guidon supérieur
9	731-04177	Chute Deflector	Déflecteur de la goulotte
10	687-02055	Complete Mulch Plug	Plaque de déchiquetage complet
11	747-0710	Hinge Pin	Axe de charnière
12	682-0015	Front Bearing Ass'y	Roulement - avant
13	720-0279	Knob - ERS Guide 1/4-20	Bouton - 1/4-20
14	720-0284	Handle Knob Assembly	Bouton
15	710-1205	Rope Guide Bolt	Boulon de guidage de cordon
16	746-1114	Blade Control Cable	Câble de commande de la lame
16	746-1141	Control Cable 58.25" Lg.	Câble de la commande 58,25 po de lg.
17	710-0487	Carriage Bolt 5/16-18 x 2.0	Boulon ordinaire 5/16-18 x 2,0
18	787-01144A	RH Handle Bracket	Support de guidon CD
18	787-01143A	LH Handle Bracket	Support de guidon CG
19	726-0240	Cable Tie	Attache câble
20	714-0104	Int. Cotter Pin .072 x 1.13" Lg.	Goupille fendue int. 0,072 x 1,13 po de lg.
21	710-0654A	Hex Wash HD Tap Scr 3/8-16 x .88	Vis autotaraudée 3/8-16 x 0,88
22	746-1250	Drive Cable	Câble de la commande
23	664-04007	Grass Bag	Sac à herbe
23	664-04011	Grass Bag (Troy-Bilt)	Sac à herbe (Troy-Bilt)
24	710-1650	Self-tapping Scr., 5/16-18 x .875	Vis autotaraudeuse de 5/16-18 x 0,875 po
25	710-0286	Truss Mach Scr 1/4-20 x .50	Vis de renforcement à tête cintrée 1/4-20 x 0,50
26	710-04371	Hex Lock Screw 1/4-15	Vis à tête hex. 1/4-15
27	787-01278	21" Deck	Plateau de coupe de 21 po
28	731-04150	Rear Baffle 21" Rear Discharge	Déflecteur arrière 21 po éjection arrière
29	710-0216	Hex Cap Screw 3/8-16 x .75	Vis à chapeau à six pans de 3/8-16 x 0,75
30	732-04090A	Torsion Spring RH	Ressort de torsion CD
31	712-0431	Hex. Flanged L-Nut 3/8-16 Gr. F	Contre-écrou à embase 3/8-16 Qual. F
32	731-05013	Transmission Cover (Black)	Couvercle de la transmission (noir)
32	731-05020	Transmission Cover (Troy-Bilt)	Couvercle de la transmission (Troy-Bilt)
33	782-5002B	Front Baffle	Déflecteur avant
34	754-0465	V-Belt	Courroie trapézoïdale
35	736-0447	Wave Washer	Rondelle ondulée
36	750-01165	Sleeve Spacer 10.1" Lg.	Entretoise 10,10 po de lg.
37	748-04015A	Blade Adapter w/Pulley	Adaptateur de la lame avec poulie
38	742-0741	21" Mulching Blade	Lame déchiquetage 21 po
39	736-0524B	Blade Bell Support	Support de la lame
40	687-02044	Height Adjuster Pivot Plate Ass'y	Plaque de pivot - réglage de hauteur
41	710-1257	Hex Bolt 3/8-24 x 2.5" Lg.	Boulon hex. 3/8-24 x 2,50 po de lg.
42	749-0907B	Lower Handle	Guidon inférieur
43	750-1166	Sleeve Spacer 2.1" Lg.	Entretoise 2,10 po de lg.
44	732-04089A	Torsion Spring LH	Ressort de torsion CG
45	634-0190	Wheel Ass'y Complete 8 x 1.8	Ensemble de roue complet 8 x 1,80
45	734-04018A	Wheel Ass'y 8 x 2.125, Gear S-Wave	Ensemble de roue 8 x 2,125, pignon
46	716-0865	Snap Ring	Joint
47	717-1762	Spur Gear 14T RH	Engrenage 14 dents droite
47	717-1761	Spur Gear 14T LH	Engrenage 14 dents gauche
48	747-04080	Grass Bag Frame	Bâti de sac à herbe

Continued on next page/Suite à la page prochaine

REF NO. N° DE RÉF	PART NO. N° DE PIÈCE	DESCRIPTION	DESCRIPTION
49	736-0451	Saddle Wash. .320 ID x .937 OD	Rondelle selle 0,320 DI x 0,937 DE
50	710-0606	Hex Scr 1/4-20 x 1.50	Vis à tête hexagonale 1/4-20 x 1,50
51	710-1652	Hex Wash Hd TT Scr. 1/4-20 x .625	Vis taraudée 1/4-20 x 0,625
52	687-02068	RH Handle Bracket Assembly	Ensemble de support du guidon CD
52	687-02069	LH Handle Bracket Assembly	Ensemble de support du guidon CG
53	715-0221	Pin	Goupille
54	736-0474	Flat Washer 1.5 OD x .03	Rondelle plate 1,50 DE x 0,03
55	687-02071	Pivot Arm Assembly - RH	Ensemble de bras de pivot - CD
55	687-02070	Pivot Arm Assembly - LH	Ensemble de bras de pivot - CG
56	732-04175	Rear Spring Lever	Levier de ressort arrière
57	720-0426	Height Adjuster Knob	Bouton
58	738-0507B	Shoulder Screw .50 Dia.	Vis à épaulement 0,50 dia.
59	734-1987	Wheel Ass'y 8 x 1.8 Spoke Bar Grey	Ensemble de roue 8 x 1,80 gris
59	734-04033	Wheel Ass'y 8 x 2 Idle S-Wave, Ball Brg.	Ensemble de roue 8,0 x 2,0 roulement à billes
60	782-0512A	Height Adjuster Plate - RH	Plaque de réglage de hauteur - CD
60	782-0511A	Height Adjuster Plate - LH	Plaque de réglage de hauteur - CG
61	732-0706	Spring Lever Front RH	Levier de ressort avant - CD
61	732-0707	Spring Lever Front LH	Levier de ressort avant - CG
62	732-0700	Wire	Fil
63	731-04998	Trail Shield	Abattant de protection arrière
64	747-04035	Pivot Rod	Tige de pivot
65	716-0102	Snap Ring for 1.0" shaft	Jonc d'arrêt pour arbre 1,0 PO
66	731-04134A	Rear Discharge Door	Porte d'éjection arrière
67	782-7551A	Wheel Dust Cap	Chapeau de moyeu
68	712-04064	Hex L-FlangeNut 1/4-20 Gr. F, Nylon	Contre-écrou à embase 1/4-20 Qual. F, nylon
69	750-04162	Spacer .375 x .50 x 1.02" Lg.	Entretoise 0,375 x 0,50 x 1,02 po de lg.
70	715-04011	Roll Pin	Goupille
71	710-0703	Carriage Bolt 1/4-10 x .75	Boulon ordinaire 1/4-20 x 0,75
72	712-0397	Wing Nut	Écrou à oreilles
73	618-04006	Transmission Assembly	Ensemble de la transmission
74	732-1043	Belt Tension Spring	Ressort de tension de la courroie
75	756-04017	Input Pulley	Poulie
76	682-0512A	RH Height Adjustment Assembly	Ensemble de réglage de hauteur - CD
76	682-0511A	LH Height Adjustment Assembly	Ensemble de réglage de hauteur - CG
77	731-0981A	Hub Cap Grey Radial	Moyeu de chapeau - gris
78	736-0504	Wave Washer .51" ID	Rondelle ondulée 0,51 DI
79	731-2646	Bail Stop	Arrêt de la poignée de commande
80	782-9063	Engine Belt Keeper Bracket	Support de la courroie
81	738-1002	Shoulder Scr. .375 x .25 AT 1/4-14	Vis à épaulement
82	726-0106	Speed Cap Nut	Écrou rapide
83	728-0199	Rivet	Rivet
84	731-2628A	Handle Panel	Panneau
85	747-2132A	Control Rod	Tige de commande

12AD466
12.16.04

Model/Modèle	Shroud/Capot	Hardware/Quincaillerie
12A-463E500	751A1432613	7510042823
12A-465D515	751A1433513	7510042823
12AD466A563	751B699869	710-1256
12A-558O552	751B281440	710-1256
12AD565C501	731-04525	7510042823
12AD569R565	751B281440	710-1256



REF NO. N° DE RÉF	PART NO. N° DE PIÈCE	DESCRIPTION	DESCRIPTION
1	712-3025	Hex Jam Nut 5/16-24	Écrou blocage à six pans 5/16-24
2	736-0425	Cupp. Wash. .325 ID x .930 OD x .04	Rondelle creuse 0,325 DI x 0,930 DE x 0,04
3	656-0047	Pulley	Poulie
5	712-0896	Hex Ins Jam L-Nut 1/4-28	Contre-écrou de blocage 1/4-28
6	736-0406	Flat Washer .79 ID x 1.25 OD	Rondelle plate 0,79 DI x 1,25 DE
7	782-7598	Belt Keeper	Goupille
8	741-0124	Ball Bearing	Roulement à billes
9	721-0457	Oil Seal	Joint d'huile
10	750-1050	Flange Spacer	Entretoise
11	682-0029	Idler Bracket Assembly	Support de tendeur
12	741-0682A	Sleeve Bearing	Roulement
13	732-04001	Extension Spring .420 x 1.50	Ressort d'extension 0,420 x 1,50
14	710-0299	Hex Bolt 1/4-28 x 1" Lg	Vis hex 1/4-28 x 1,0 po de lg
15	736-0570	Flat Washer .885 x 1.145 x .030	Rondelle plate 0,885 x 1,145 x 0,030
16	741-0699	Needle Bearing .438 x .625 x .500	Roulement à aiguilles 0,438 x 0,625 x 0,500
17	721-0329	Oil Seal	Joint
18	618-0300A	Upper Housing Ass'y (Incl. #16)	Carter de la logement supérieur (Comp. no. 16)
19	721-0329	Oil Seal	Joint
20	741-0673	Flange Bearing	Roulement à bride
21	611-0105A	Output Shaft	Arbre de sortie
22	736-0250	Flat Washer	Rondelle plate
23	717-1492	Pinion Shaft 10T	Arbre à pignon - 10 dents
24	736-0314	Thrust Washer .382 ID x .70 OD	Rondelle de butée 0,382 DI x 0,70 DE
25	736-0569	Thrust Washer .388 x .625 x .062	Rondelle 0,388 x 0,625 x 0,062
26	618-0299A	Lower Housing Ass'y (Incl. #27)	Carter de la logement (Comprend no. 27)
27	741-0672	Flange Bearing .378 x .531 x .370	Roulement 0,378 x 0,531 x 0,370
28	710-1276	Hex Wash. Scr. 1/4-20 x .75	Vis 1/4-20 x 0,75
29	618-04006	Transmission Ass'y Complete	Transmissieu complet
30	732-0708	Bearing Retainer	Retenue de roulement
31	741-0604A	Bearing Sleeve .50 ID	Manchon de roulement 0,50 DI
32	748-0355	Bearing Support	Support du roulement
33	736-0447	Wave Washer	Rondelle ondulée
34	782-0512B	Height Adj. Plate RH	Plaque de réglage de hauteur CD
35	782-0511A	Height Adj. Plate LH	Plaque de réglage de hauteur CG
36	687-02044	Height Adj. Pivot Plate Ass'y	Plaque du pivot - réglage de hauteur
37	732-0706	Spring Lever RH	Levier de ressort CD
38	732-0707	Spring Lever LH	Levier de ressort CG
39	720-0426	Knob	Bouton

618-04006
12.13.04

TWO YEAR LIMITED WARRANTY

For TWO YEARS from the date of retail purchase within Canada, MTD PRODUCTS LIMITED will, at its option, repair or replace, for the original purchaser, free of charge, any part or parts found to be defective in material or workmanship.

This warranty does not cover:

1. Any part which has become inoperative due to misuse, commercial use, abuse, neglect, accident, improper maintenance or alteration; or
2. The unit if it has not been operated and/or maintained in accordance with the owner's instructions furnished with the unit; or
3. The engine or motor or component parts thereof which carry separate warranties from their manufacturers. Please refer to the applicable manufacturer's warranty on these items; or
4. Batteries and normal wear parts except as noted below. Log splitter pumps, valves and cylinders or component parts thereof are covered by a one year warranty; or
5. Routine maintenance items such as lubricants, filters, blade sharpening and tune-ups, or adjustments such as brake, clutch or deck; or
6. Normal deterioration of the exterior finish due to use or exposure.

Full Ninety Day Warranty on Battery: For ninety (90) days from the date of retail purchase, if any battery included with this unit proves defective in material or workmanship and our testing determines the battery will not hold a charge, MTD PRODUCTS LIMITED will replace the battery at no charge to the original purchaser.

Additional Limited Thirty Day Warranty on Battery: After ninety (90) days but within one hundred twenty (120) days from the date of purchase, MTD PRODUCTS LIMITED will replace the defective battery, for the original purchaser, for a cost of one-half (1/2) of the current retail price of the battery in effect at the date of return.

Full Sixty Day Warranty on Normal Wear Parts: Normal wear parts are defined as belts, blade adapters, blades, grass bags, seats, tires, rider deck wheels and clutch parts (friction wheels). These parts are warranted to the original purchaser to be free from defects in material and workmanship for a period of sixty (60) days from the date of retail purchase.

How to Obtain Service: Warranty service is available, with proof of purchase, through your local authorized service dealer or distributor. If you do not know the dealer or distributor in your area, please call, toll free 1-800-668-1238. The return of a complete unit will not be accepted by the factory unless prior written permission has been extended by MTD PRODUCTS LIMITED.

Transportation Charges: Transportation charges for the movement of any power equipment unit or attachment are the responsibility of the purchaser. Transportation charges for any part submitted for replacement under this warranty must be paid by the purchaser unless such return is requested in writing by MTD PRODUCTS LIMITED.

Other Warranties: All other warranties, express or implied, including any implied warranty of merchantability is limited in its duration to that set forth in this express limited warranty. The provisions as set forth in this warranty provide the sole and exclusive remedy of MTD PRODUCTS LIMITED obligations arising from the sale of its products.

MTD PRODUCTS LIMITED will not be liable for incidental or consequential loss or damage.

notes . . .