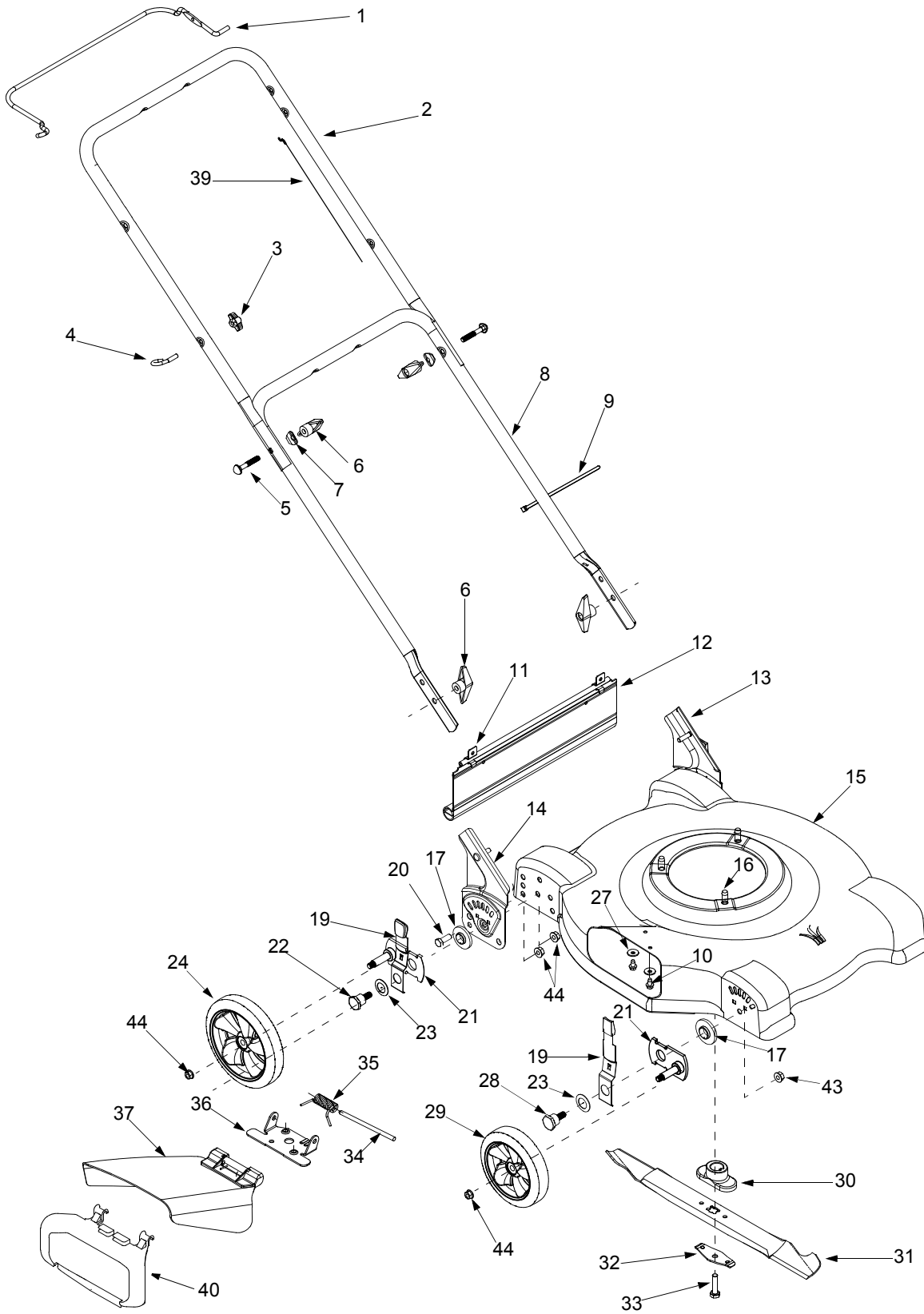


**SECTION 8: PARTS LIST FOR SERIES 080/LISTE DE PIÈCES DETACHÉES SÉRIES 080**



REF NO. N° DE RÉF	PART NO. N° DE PIÈCE	DESCRIPTION	DESCRIPTION
1	747-1161A	Blade Control Handle	Poignee de commande de la lame
2	749-1092A	Upper Handle	Guidon superieur
3	720-0279	Knob - ERS Guide 1/4-20	Bouton - 1/4-20
4	710-1205	Rope Guide Bolt	Boulon de guidage de cordon
5	710-1174	Carriage Bolt 5/16-18 x 2.0	Boulon ordinaire 5/16-18 x 2,0
6	720-0284	Handle Knob Assembly	Bouton
7	736-0451	Saddle Wash. .320 ID x .937 OD	Rondelle selle 0,320 DI x 0,937 DE
8	749-04037	Lower Handle	Guidon inferieur
9	725-0157	Cable Tie	Attache-cable
10	710-0599	Hex Wash S-Tapp Scr 1/4-20 x .50	Vis autotaraudeuse a rondelle hex. de 1/4-20 x 0,5
11	17098	Hinge Clip	Attache
12	731-04019	Trail Shield	Abattant de protection arriere
13	682-3065	Handle Bracket Assembly LH	Support de guidon CG
14	682-3064	Handle Bracket Assembly RH	Support de guidon CD
15	687-02045	Deck Assembly 22" (with logo)	Plateau de coupe de 22 po (avec logo)
15	687-02048	Deck Assembly 22" (without logo)	Plateau de coupe de 22 po (sans logo)
16	710-0654A	Hex Wash HD Tap Scr 3/8-16 x .88	Vis autotaraudee 3/8-16 x 0,88
17	741-0751	Height Adjuster Bearing	Roulement
19	687-02051	Lever Assembly (includes Ref. #18)	Levier (inclus le no. de ref. 18)
20	710-0216	Hex Cap Screw 3/8-16 x .75	Vis a chapeau a six pans de 3/8-16 x 0,75
21	687-02094	Pivot Bar	Barre de pivot
22	738-1173	Shoulder Screw	Vis a epaulement
23	736-0741	Cupped Washer .401 ID x .870 OD	Rondelle creuse 0,401 DI x 0,870 DE
24	734-1987	Wheel Ass'y 8 x 1.8 Spoke Bar Grey	Ensemble de roue 8 x 1,80 gris
27	736-0270	Cup. Wash. .265 ID x .75 OD x .062	Rondelle creuse 0,265 DI x 0,75 DE x 0,062
28	738-1172	Shoulder Screw 3/8-16	Vis a epaulement 3/8-16
29	734-1988	Wheel Assembly Complete 7 x 1.8	Ensemble de roue complet 7 x 1,80
30	748-0376C	Blade Adapter	Adaptateur de la lame
31	742-0642A	Blade 22"	Lame 22 po
31	742-0742A	Mulching Blade 22"	Lame dechiqueteuse 22 po
32	736-0524A	Blade Bell Support	Support de lame
33	710-1044	Hex Screw 3/8-24 x 1.5" Lg. (Gr. 8)	Vis a tete hex. 3/8-24 x 1,50 po de lg (Qual. 8)
34	747-0710	Hinge Pin	Axe fixe
35	732-1014	Torsion Spring	Ressort de torsion
36	17032A	Chute Hinge	Charniere de deflecteur
37	731-1035B	Chute Deflector	Deflecteur lateral
37	731-1034B	Side Dis. Chute Ass'y (incl. #34-37)	Deflecteur lateral complet (incl. No.34-37)
39	746-0957	Control Cable 37.25" Lg.	Cable de la commande 37,25 po de lg.
39	746-1130	Blade Control Cable 40"	Cable de commande de la lame de 40 po
39	746-0946	Control Cable 48.25" Lg.	Cable de la commande 48,25 po de lg.
40	631-04045	Mulch Plug (if equipped)	Plaque de dechiquetage (si equipe)
44	712-0431	Flanged Lock Nut	Ecrou de blocage
45	751168114	Shroud	Capot

# MANUFACTURER'S LIMITED WARRANTY FOR:

The limited warranty set forth below is given by MTD LLC with respect to new merchandise purchased and used in the United States and/or its territories and possessions, and by MTD Products Limited with respect to new merchandise purchased and used in Canada and/or its territories and possessions (either entity respectively, "MTD").



MTD warrants this product (excluding its normal wear parts as described below) against defects in material and workmanship for a period of two (2) years commencing on the date of original purchase and will, at its option, repair or replace, free of charge, any part found to be defective in materials or workmanship. This limited warranty shall only apply if this product has been operated and maintained in accordance with the Operator's Manual furnished with the product, and has not been subject to misuse, abuse, commercial use, neglect, accident, improper maintenance, alteration, vandalism, theft, fire, water, or damage because of other peril or natural disaster. Damage resulting from the installation or use of any part, accessory or attachment not approved by MTD for use with the product(s) covered by this manual will void your warranty as to any resulting damage.

Normal wear parts are warranted to be free from defects in material and workmanship for a period of thirty (30) days from the date of purchase. Normal wear parts include, but are not limited to items such as: batteries, belts, blades, blade adapters, grass bags, rider deck wheels, seats, snow thrower skid shoes, friction wheels, shave plates, auger spiral rubber and tires.

**HOW TO OBTAIN SERVICE:** Warranty service is available, WITH PROOF OF PURCHASE, through your local authorized service dealer. To locate the dealer in your area;

## **In the U.S.A.:**

Check your Yellow Pages, or contact MTD LLC at P.O. Box 361131, Cleveland, Ohio 44136-0019, or call 1-800-800-7310 or 1-330-220-4683 or log on to our Web site at [www.mtdproducts.com](http://www.mtdproducts.com).

## **In Canada:**

Contact MTD Products Limited, Kitchener, ON N2G 4J1, or call 1-800-668-1238 or log on to our Web site at [www.mtdcanada.com](http://www.mtdcanada.com).

This limited warranty does not provide coverage in the following cases:

- a. The engine or component parts thereof. These items may carry a separate manufacturer's warranty. Refer to applicable manufacturer's warranty for terms and conditions.
- b. Log splitter pumps, valves, and cylinders have a separate one-year warranty.
- c. Routine maintenance items such as lubricants, filters, blade sharpening, tune-ups, brake adjustments, clutch adjustments, deck adjustments, and normal deterioration of the exterior finish due to use or exposure.
- d. Service completed by someone other than an authorized service dealer.
- e. MTD does not extend any warranty for products sold or exported outside of the United States and/or Canada, and their respective possessions and territories, except those sold through MTD's authorized channels of export distribution.
- f. Replacement parts that are not genuine MTD parts.
- g. Transportation charges and service calls.
- h. If Products are used commercially. (MTD may separately offer Limited Commercial Warranties on certain select products. Ask your dealer or retailer for details or contact MTD Service for more information.)

**No implied warranty, including any implied warranty of merchantability of fitness for a particular purpose, applies after the applicable period of express written warranty above as to the parts as identified. No other express warranty, whether written or oral, except as mentioned above, given by any person or entity, including a dealer or retailer, with respect to any product, shall bind MTD. During the period of the warranty, the exclusive remedy is repair or replacement of the product as set forth above.**

**The provisions as set forth in this warranty provide the sole and exclusive remedy arising from the sale. MTD shall not be liable for incidental or consequential loss or damage including, without limitation, expenses incurred for substitute or replacement lawn care services or for rental expenses to temporarily replace a warranted product.**

Some jurisdictions do not allow the exclusion or limitation of incidental or consequential damages, or limitations on how long an implied warranty lasts, so the above exclusions or limitations may not apply to you.

In no event shall recovery of any kind be greater than the amount of the purchase price of the product sold. **Alteration of safety features of the product shall void this warranty.** You assume the risk and liability for loss, damage, or injury to you and your property and/or to others and their property arising out of the misuse or inability to use the product.

This limited warranty shall not extend to anyone other than the original purchaser or to the person for whom it was purchased as a gift.

**HOW LOCAL LAWS RELATE TO THIS WARRANTY:** This limited warranty gives you specific legal rights, and you may also have other rights that vary in different jurisdictions.

**IMPORTANT:** Owner must present Original Proof of Purchase to obtain warranty coverage.

**MTD LLC, P.O. BOX 361131 CLEVELAND, OHIO 44136-0019; Phone: 1-800-800-7310, 1-330-220-4683  
MTD Products Ltd., P. O. BOX 1386, KITCHENER, ON N2G 4J1; Phone: 1-800-668-1238**

## NOTES