



Owner's Manual

◆ SET-UP ◆ OPERATION ◆ MAINTENANCE



IMPORTANT: Read Safety Rules and Instructions Carefully

PRINTED IN CANADA

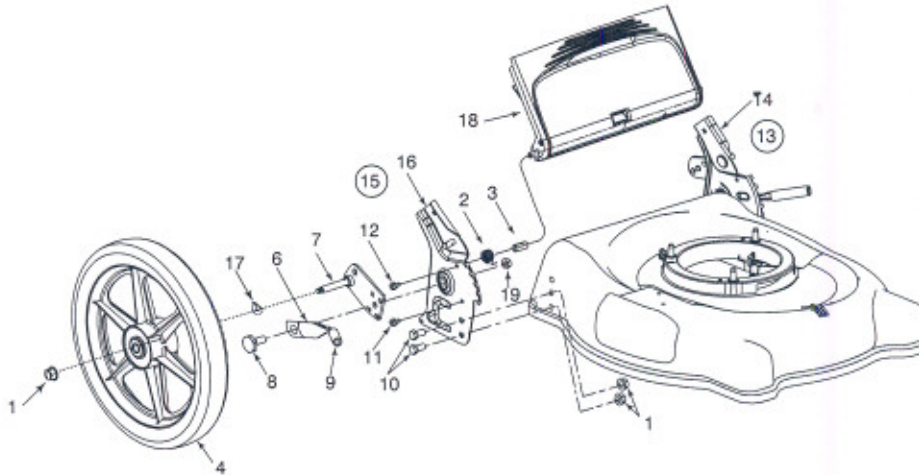
OG-4804

11A 437 A 563 T-437

11A 547 A 563 T-547

62

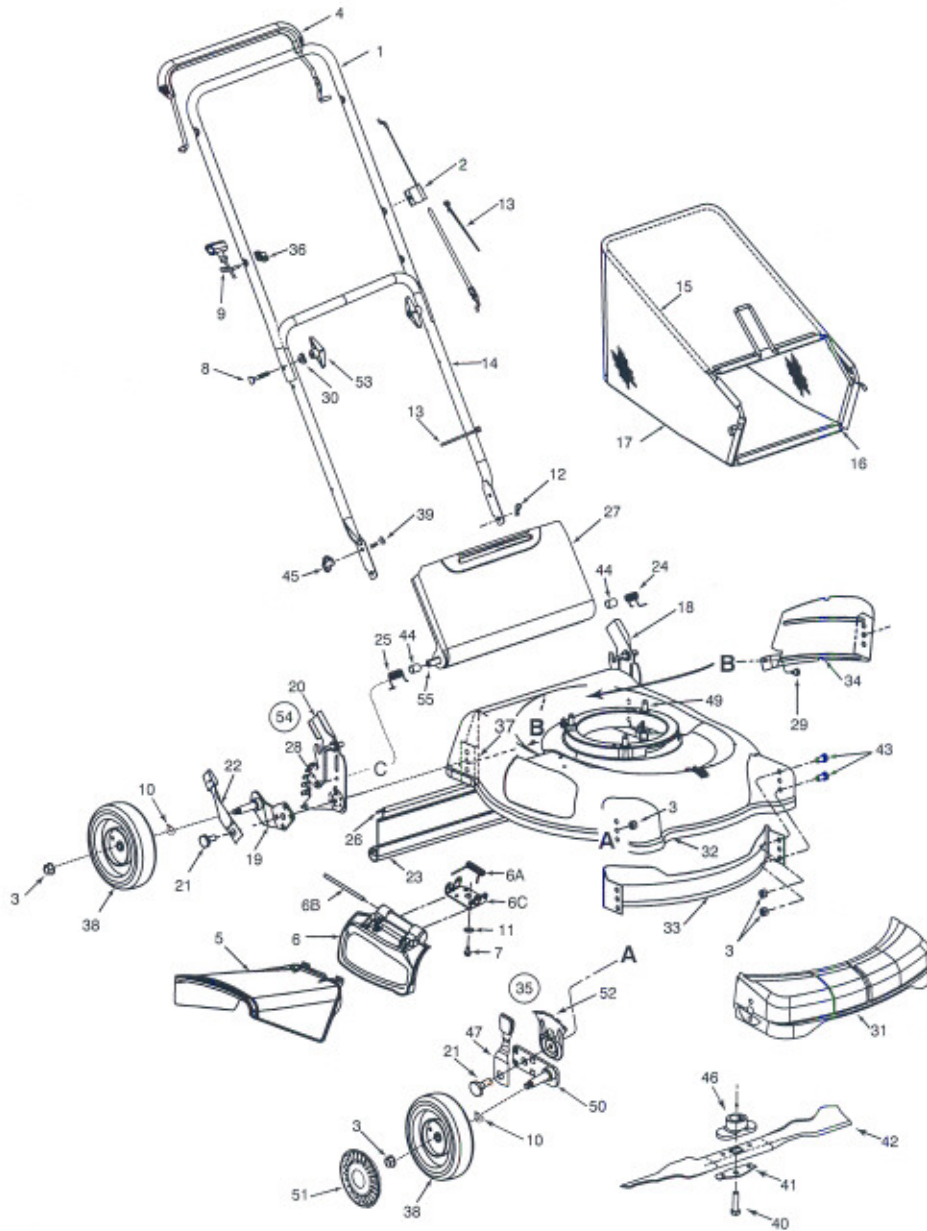
For Models with 12" rear wheels/
 Pour modèles à pneu arrière de 12 po



| REF NO. N° DE RÉF | PART NO. N° DE PIÈCE | DESCRIPTION | DESCRIPTION |
|----------------------|-------------------------|--------------------------------------|---|
| 1 | 712-0431 | Flanged Lock Nut | Écrou de blocage |
| 2 | 732-04089 | LH Torsion Spring | Ressort d'torsion- gauche |
| | 732-04090 | RH Torsion Spring | Ressort d'torsion-droite |
| 3 | 750-04162 | Spacer | Entretoise |
| 4 | 734-04046 | Wheel Ass'y 12 x 2.125 | Ensemble de roue 12 x 2,125 |
| 5 | 736-0105 | Cupped Washer .400 ID x .88 OD x .06 | Rondelle creuse 0,400 DI x 0,88 DE x 0,06 |
| 6 | 732-0866 | Spring Lever SP (w'knob) | Ressort de levier (avec bouton) |
| 7 | 687-02039 | Pivot Bar RH SP | Barre de pivot - droit |
| | 687-02040 | Pivot Bar LH SP | Barre de pivot - gauche |
| 8 | 738-0507B | Shoulder Screw .50 Dia. | Vis à épaulement 0,50 Dia. |
| 9 | 720-0312 | Grip | Poignée |
| 10 | 710-0216 | Hex Cap Screw 3/8-16 x .75 | Vis à chapeau à six pans de 3/8-16 x 0,75 |
| 11 | 710-1652 | Scr 1/4-20 x .625" Lg | Vis taraudée à tête hex. 1/4-20 x 0,625 |
| 12 | 710-0599 | Hex TT-Tap Scr 1/4-20 x .50 | Vis taraudée à tête hex. 1/4-20 x 0,50 |
| 13 | 687-02057 | LH Height Adj. Ass'y Complete | Ens.de réglage de roue-gauche (complet) |
| 14 | 687-02031 | LH Height Adj. Ass'y | Ensemble de réglage de roue - gauche |
| 15 | 687-02056 | RH Height Adj. Ass'y (Complete) | Ens. de réglage de roue - droit (complet) |
| 16 | 687-02033 | RH Height Adj. Ass'y | Ens. de réglage de roue - droit) |
| 17 | 736-0182 | Spring Washer .5 ID x 1.0 | Rondelle frein .5 DI x 1.0 |
| 18 | 731-04134 | 21" Rear Discharge Door | Porte |

11A-540
 11.20.03

REPLACEMENT PARTS/PIÈCES DÉTACHÉES



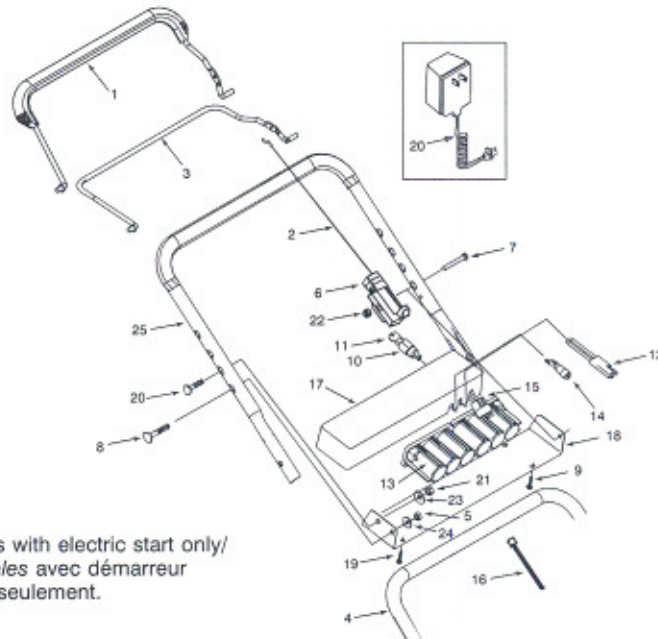
Refer to page 15 for models with 12" rear wheels/
Référez-vous à la page 15 pour modèles à roues
arrière de 12 po

| REF NO. N° DE RÉF | PART NO. N° DE PIÈCE | DESCRIPTION | DESCRIPTION |
|----------------------|-------------------------|---|---|
| 1 | 749-1092A-637 | Upper Handle -Black | Guidon supérieur -noir |
| 2 | 746-0957 | Control Cable 37.25' Lg. (B&S) | Câble de la commande 37.25 po (B&S) |
| | 746-1130 | Control Cable 40.0' Lg. (B&S Quantum) | Câble de la commande 40.0 po (Quantum) |
| | 746-1137 | Control Cable 53.0' Lg. (Tec) | Câble de la commande 53.0 po (Tec) |
| | 746-04104 | Control Cable 40.0' Lg. (Kawasaki) | Câble de la commande 40.0 po (Kawasaki) |
| 3 | 712-0431 | Flange Locknut 3/8-16 | Écrou de blocage 3/8-16 |
| 4 | 747-1161A | Blade Control Handle - Black | Poignée de commande de la lame- noir |
| | 731-2626 | Blade Control Handle Cover | Couvercle de poignée |
| 5 | 731-04177 | Side Chute Deflector | Défecteur |
| 6 | 687-02055 | Mulching Plug Ass'y (Incl. Items marked *) | Plaque de déchiqueteuse (Comprends les *) |
| * | 731-04161 | Mulching Plug | Plaque de déchiqueteuse |
| *6A | 732-1014 | Torsion Spring | Ressort de torsion |
| *6B | 747-0710 | Hinge Pin | Axe fixe |
| *6C | 17032A | Plug Adapter | Adaptateur |
| 7 | 710-0599 | Hex Wash SF Tapp Scr 1/4-20 x .50 | Vis taraudée 1/4-200 x .50 |
| 8 | 710-1174 | Curved Carriage Bolt 5/16-18 X 2.00 | Boulon ordinaire courbé 5/16-18 X 2.00 |
| 9 | 710-1205 | Rope Guide Bolt | Boulon de guidage de cordon |
| 10 | 736-0504 | Wave Washer (w/ ball bearings only) | Rondelle ondulée (avec roulement à billes seulement) |
| 11 | 736-0270 | Cupp. Wash. .265 ID x .75 OD x .062 | Rondelle creuse 0,265 DI x 0,75 DE x 0,062 |
| 12 | 714-0104 | Int. Cotter Pin 5/16 DIA | Goupille fendue 5/16 DIA. |
| 13 | 726-0240 | Cable Tie | Attache câble |
| 14 | 749-0928A-637 | Lower Handle | Guidon inférieur |
| 15 | 764-0310 | Rear Catcher Frame Tube | Tuyau du bâti du sac récupérateur |
| 16 | 747-04080 | Catcher Lower Frame | Sac à herbe - bâti inférieur |
| 17 | 664-04007 | Generic Grasscatcher Bag | Sac à herbe |
| | 664-04027 | Grasscatcher Bag YM | Sac à herbe YM |
| 18 | 687-02069 | LH Height Adj. Ass'y Complete | Ensemble de réglage de roue CG (complet) |
| | 787-01143 | LH Height Adj. Brkt. | Ensemble de réglage de roue CG |
| 19 | 687-02071 | Pivot Bar RH SP | Barre de pivot - Droit |
| | 687-02070 | Pivot Bar LH SP (not shown) | Barre de pivot - Gauche (non illustrée) |
| 20 | 787-01144 | RH Height Adj. Brkt. | Ensemble de réglage de roue - CD |
| 21 | 738-0507B | Shoulder Screw .50 Dia. | Vis à épaulement .50 Dia. |
| 22 | 687-02078 | Spring Lever SP (w/knob) | Ressort de levier (avec bouton) |
| | 720-0426 | Knob | Bouton |
| 23 | 731-1236 | Rear Flap 17.69 | Abattant de protection arrière 17.69 |
| 24 | 732-04089 | LH Torsion Spring | Ressort de torsion CG |
| 25 | 732-04090 | RH Torsion Spring | Ressort de torsion CD |
| 26 | 732-0700 | Wire | Fil |
| 27 | 731-04134 | RB Chute Door | Porte de goulotte |
| 28 | 710-1652 | Hex HD. TT Tap Scr. 1/4-20 x 5/8 | Vis TT à rondelle-frein hex. 1/4 x 5/8 |
| 29 | 710-1017 | Torx Mach. AB-Tapp Scr. 1/4 X .62' Lg. | Vis torx AB 1/4 X .62 po de lg |
| 30 | 736-0451 | Saddle Washer | Rondelle selle |
| 31 | 731-1523 | Front Cover - Black | Couvercle avant - noir |
| | 731-1506 | Front Cover - Yellow | Couvercle avant - jaune |
| | 731-1506 | Front Cover - Grey | Couvercle avant - gris |
| 32 | 787-01104 | 21" Deck Ass'y (Models with side discharge only) | Corps 21 po (modèles avec éjection latérale seulement) |
| | 787-01103 | 21" Deck Ass'y (Models without side discharge only) | Corps 21 po (modèles sans éjection latérale seulement) |
| 33 | 782-5002A | Front Baffle 21" | Côté de la goulotte arrière |
| 34 | 782-5003 | Left Rear Baffle 21" | Côté de la goulotte arrière gauche 21 po |
| 35 | 687-02074 | Height Adj. Ass'y RH (w/knob) | Ensemble de réglage de roue CD (avec bouton) |
| | 687-02075 | Height Adj. Ass'y LH (w/knob) (not shown) | Ens. de réglage de roue CG (avec bouton) (non illustrée) |
| 36 | 720-0279 | Knob 1/4-20 | Bouton 1/4-20 |
| 37 | 782-5004A | Mulching Baffle - R.R. | Défecteur de déchiquetage arrière droit |

Continued on next page/Suite à la page prochaine

| REF NO. N° DE RÉF | PART NO. N° DE PIÈCE | DESCRIPTION | DESCRIPTION |
|----------------------|-------------------------|--|--|
| 38 | 734-2004A | Wheel Assembly 8 x 2.13 Zag BB | Ensemble de roue 8 x 2.13 Zag (avec roulement à billes) |
| | 734-04033 | Wheel Assembly 8 x 2 S-Wave Grey (w/ball bearings) | Ensemble de roue 8 x 2 dent gris (avec roulement à billes) |
| 39 | 710-0703 | Carriage Bolt 1/4-20 x .75 Gr. 1 | Boulon ordinaire 1/4-20 x 0,75 Qual 1 |
| 40 | 710-1044 | Hex Bolt 3/8-24 x 1.5" Lg. (Grade 5) | Vis à tête hexagonale 3/8-24 x 1.5 po de lg |
| 41 | 736-0524A | Blade Bell Support | Support de la lame |
| 42 | 742-0641 | 21" Blade (w/star) | Lame 21 po (avec étoile) |
| | 742-0741 | 21" Mulching Blade (w/star) | Lame 21 po (avec étoile) |
| 43 | 710-1270 | Machine Screw 1/4-20 x 1.310 | Vis à tête usinée 1/4-2-0 x 1.310 |
| 44 | 750-04162 | Spacer .390 x .810 x .950 | Entretoise 0,390 x 0,810 x 1,310 |
| 45 | 712-0397 | Wing Nut 1/4-20 | Écrou à oreilles 1/4-20 |
| 46 | 748-0376C | Blade Adapter | Adaptateur de la lame |
| 47 | 732-0404 | Spring Lever Ass'y (w/knob) | Levier de ressort (avec bouton) |
| | 720-0426 | Knob | Bouton |
| 48 | 720-0275 | Knob-Black | Bouton |
| 49 | 710-0654A | Hex Wash HD Tap Scr 3/8-16 x .88 | Vis autotaraudée 3/8-16 x .88 |
| 50 | 687-02077 | Pivot Bar RH | Barre de pivot CD |
| | 687-02078 | Pivot Bar LH | Barre de pivot CG |
| 51 | 731-0981A | Hub Cap Radial - grey | Chapeau de moyeu -gris |
| 51 | 731-0982A | Hub Cap Radial - beige | Chapeau de moyeu -beige |
| 51 | 731-1426 | Hub Cap Radial - yellow | Chapeau de moyeu -jaune |
| 52 | 15261A | Height Adjuster Plate | Plaque de réglage de roue |
| 53 | 720-0284 | Knob 5/16-18 | Bouton 5/16-18 |
| 54 | 687-02068 | RH Height Adj. Ass'y Complete | Ensemble de réglage de roue - CD (complet) |
| 55 | 747-04035 | Pivot Rod | Tige de pivotement |

424-438
11.20.03



For models with electric start/
 Pour modèles avec démarreur
 électrique seulement.

| REF NO. N° DE RÉF | PART NO. N° DE PIÈCE | DESCRIPTION | DESCRIPTION |
|----------------------------|-------------------------------|---|--|
| 1 | 647-0004 | Deluxe Control Handle | Guidon de la commande (deluxe) |
| 2 | 746-0555 | Control Cable 55 Lg. (B&S) | Câble de la commande 55 po (B&S) |
| | 746-1131 | Control Cable 46 Lg. (Tec) | Câble de la commande 46 po (Tec) |
| | 746-04109 | Control Cable 49 Lg. (Kawasaki) | Câble de la commande 49 po (Kawasaki) |
| 3 | 747-0824-104 | Control Handle | Guidon de la commande |
| 4 | 749-0907B-637 | Lower Handle | Guidon - inférieur |
| 5 | 712-3006 | Hex Nut 1/4-20 Gr. 5 | Écrou hex 1/4-20 Qual. 5 |
| 6 | 746-0883 | Fixed Speed Housing | Carter de la vitesse réglée |
| 7 | 710-1270 | Oval C-sunk Scr. 1/4-20 X 1.31" Lg. (w/o electric start) | Vis 1/4-20 X 1.31 po de lg. (sans électrique démarreur) |
| | 710-0136 | Hex. Hd. Cap Scr. 1/4-20 x 1.75" Lg. (w/electric start) | Vis à tête hex. 1/4-20 x 1,75 (avec électrique démarreur) |
| 8 | 710-0111 | Carriage Bolt 1/4-20 X 1.25 | Boulon ordinaire 1/4-20 X 1.25 |
| 9 | 710-0969 | Truss Mach. Screw 1.0" Lg. | Vis de renforcement à usinée 1.0 po de lg |
| 10 | 725-0873 | Key Switch Momentary | Interrupteur à cle |
| 11 | 725-0201 | Ignition Key | Clavette |
| 12 | 725-1206 | Plug | Bouchon |
| 13 | 725-1276 | 12 Volt Battery Pack | Groupe de piles 12 v |
| 14 | 725-1428 | Fuse holder | Porte-fusible |
| | 725-0298 | Fuse 7.5 AMP | Fusible de 7.5 A |
| 15 | 725-1442 | Wire Harness | Faisceau de fil |
| 16 | 725-1538 | Extension Harness | Faisceau d'extension |
| 17 | 731-0891A | Battery Tray - Black | Cuvette d'accumulateur noir |
| 18 | 782-9012 | Lower Battery Tray | Cuvette d'accumulateur |
| 19 | 710-1250 | Curved Carriage Bolt 5/16-18 x 1.5 | Boulon ordinaire 5/16-18 x 1.5 po de lg. |
| 20 | 725-0727 | Battery Charger | Chargeur de batterie |
| 21 | 712-3010 | Hex Nut 5/16-18 Gr. 5 | Écrou hex 5/16-18 Qual. 5 |
| 22 | 712-0324 | Hex Ins. Locknut 1/4-20 | Écrou de blocage 1/4-20 |
| 23 | 736-0242 | Bell. Washer .345 ID X .88 OD X .06 | Rondelle Bell. .345 DI X .88 DE X .060 |
| 24 | 736-0270 | Bell. Washer .25 ID X .88 OD X .062 | Rondelle Bell. .25 DI X .88 DE X .062 |
| 25 | 749-0705A-637 | Upper Handle - Black | Guidon supérieur - noir |

11ae435
 11.20.03

THREE (3) YEAR LIMITED WARRANTY

For three (3) years from the date of original purchase of our products, we will either repair or replace, at its option, free of charge, F.O.B. Factory or authorized service firm, any part found to be DEFECTIVE IN MATERIAL and WORKMANSHIP for the original purchaser. all transportation charges on parts submitted for replacement under this warranty must be paid by the purchaser unless return is requested by the manufacturer.

This warranty DOES NOT apply to any part which has become inoperative through misuse, excessive use, accident, neglect, improper maintenance or alterations by unauthorized persons.

The limited warranty does not extend to the replacement of parts which are not defective, but where regular usage has exhausted the life of the part.

ENGINES, ELECTRIC START KITS, PEERLESS TRANSMISSIONS AND PEERLESS TRANSAXLES ARE WARRANTED BY THEIR RESPECTIVE MANUFACTURER. ALL CLAIMS AGAINST THESE COMPONENTS MUST BE HANDLED THROUGH THE RESPECTIVE MANUFACTURER'S SERVICE DEALERS.

Belts, light bulbs, clutch parts (friction wheels), grass bags, tires, seats, rider deck wheels and cutting blades are covered by a 60 day limited warranty.

Batteries are covered by a 90 day limited warranty.

Fuses, shear bolts and blade adapters are considered consumable items and as such are not warranted.

NOTE: Regular maintenance replacement parts and related inspections and adjustments are excluded from coverage when made as part of normal maintenance service.

TRACTOR ATTACHMENT WARRANTY

Mower decks included with your product, or sold separately, as an attachment for your garden tractors will be warranted according to the above terms of the manufacturer three (3) year limited consumer warranty.

ALL OTHER ATTACHMENTS will be sold under the same condition as above except the warranty will be ONE YEAR FROM DATE OF ORIGINAL PURCHASE.

PERSONAL USE

THE FOREGOING PARAGRAPHS CONSTITUTE THE MANUFACTURER'S ENTIRE WARRANTY WITH RESPECT TO ANY PRODUCT PURCHASED AND USED FOR PERSONAL FAMILY, HOUSEHOLD/RESIDENTIAL PURPOSES, AS DISTINGUISHED FROM COMMERCIAL USAGE.

COMMERCIAL USE

ALL APPLICATIONS OTHER THAN PERSONAL USE AS OUTLINED ABOVE, ARE CONSIDERED COMMERCIAL USAGE.

New products purchased for commercial usage are warranted in the same manner and to the same extent EXCEPT the term of warranty will be 60 DAYS from date of purchase.

WARRANTY SERVICE CAN ONLY BE PERFORMED BY AN AUTHORIZED SERVICE DEALER. ANY NON-ORIGINAL EQUIPMENT REPLACEMENT PART USED ON OR IN A PRODUCT UNDER WARRANTY WILL BE EXCLUDED FROM THAT WARRANTY COVERAGE, AS WILL BE ANY RELATED DAMAGED COMPONENTS RESULTING FROM THE INSTALLATION OF A REPLACEMENT PART FROM ANOTHER SOURCE OTHER THAN THE MANUFACTURER.