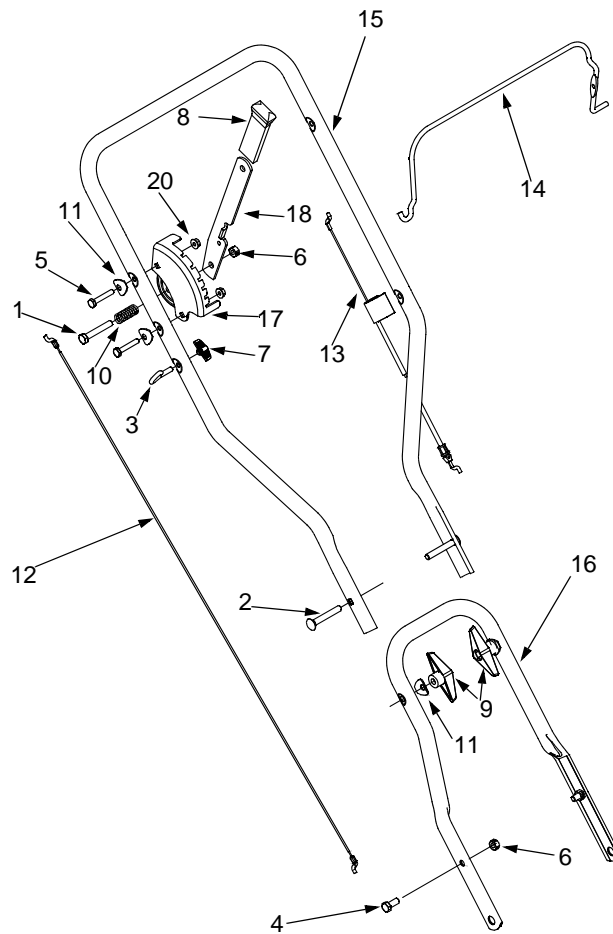
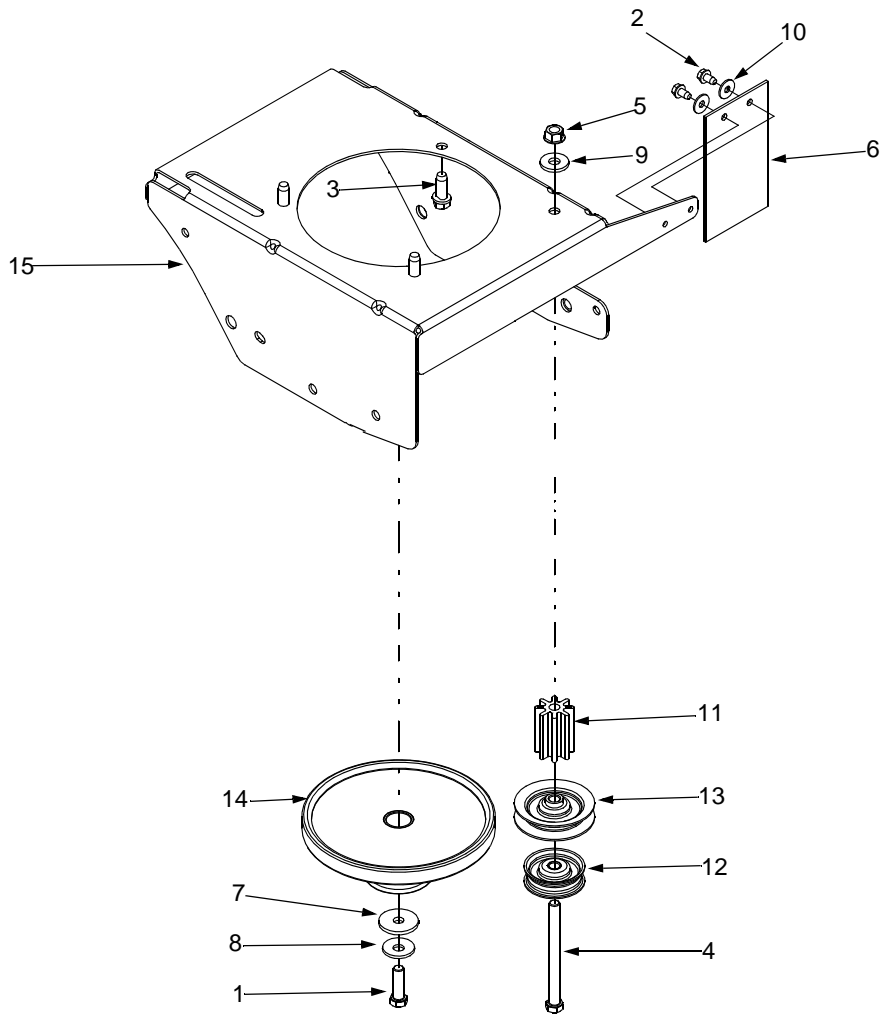


SECTION 9: MODEL 554 HANDLE



REF. NO.	PART NO.	DESCRIPTION	REF. NO.	PART NO.	DESCRIPTION
1	710-3103	Screw, 5/16-18	11	736-0451	Saddle Washer, .320 ID x.93 OD
2	710-0449	Screw, 5/16-18	12	746-04036	Wheel Adjustment Cable
3	710-1205	Eye Bolt	13	746-04035	Control Cable
4	710-3008	Screw, 5/16-18	14	747-0976A	Bail Handle
5	710-0606	Screw	15	749-1225	Upper Handle
6	712-3004A	Hex Lock Nut, 5/16-18	16	749-4044	Lower Handle
7	720-0279	Handle Knob	17	781-0741	Depth Index Bracket
8	720-0142	Grip	18	781-0742	Depth Index Lever
9	720-0241	Wing Knob	20	712-3027	Hex Flange Nut, 1/4-20
10	732-0369	Compression Spring			

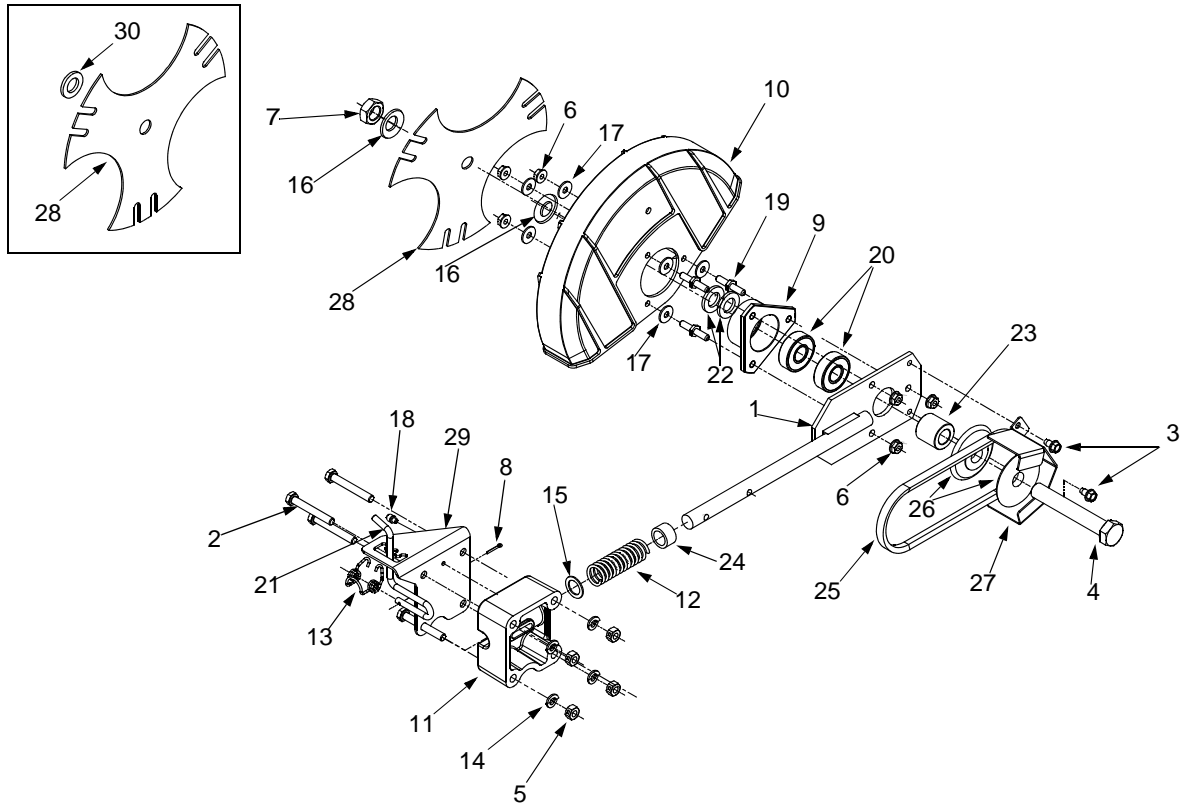
Model 554 Frame



REF. NO.	PART NO.	DESCRIPTION
1	710-0191	Screw, 3/8-24
2	710-0599	Screw, 1/4-20
3	710-0654A	Screw, 3/8-16
4	710-0944	Screw, 3/8-16
5	712-0431	Flange Lock Nut, 3/8-16
6	731-04168	Debris Guard
7	736-0320	Flat Washer, 3/8 ID x 1.37 OD
8	736-0452	Bell Washer, .396 x 1.140
9	736-3052	Flat Washer, .406 x 1.00
10	736-3090	Flat Washer, .260 x .720
11	750-04142	Pulley Mount Spacer
12	756-0313	Flat Idler Pulley, 1.88 OD
13	756-1035A	Idler Pulley
14	756-1150A	Combination Flywheel Pulley
15	787-01072	Frame

Model 554 Spindle Assembly

Trencher Kitt†

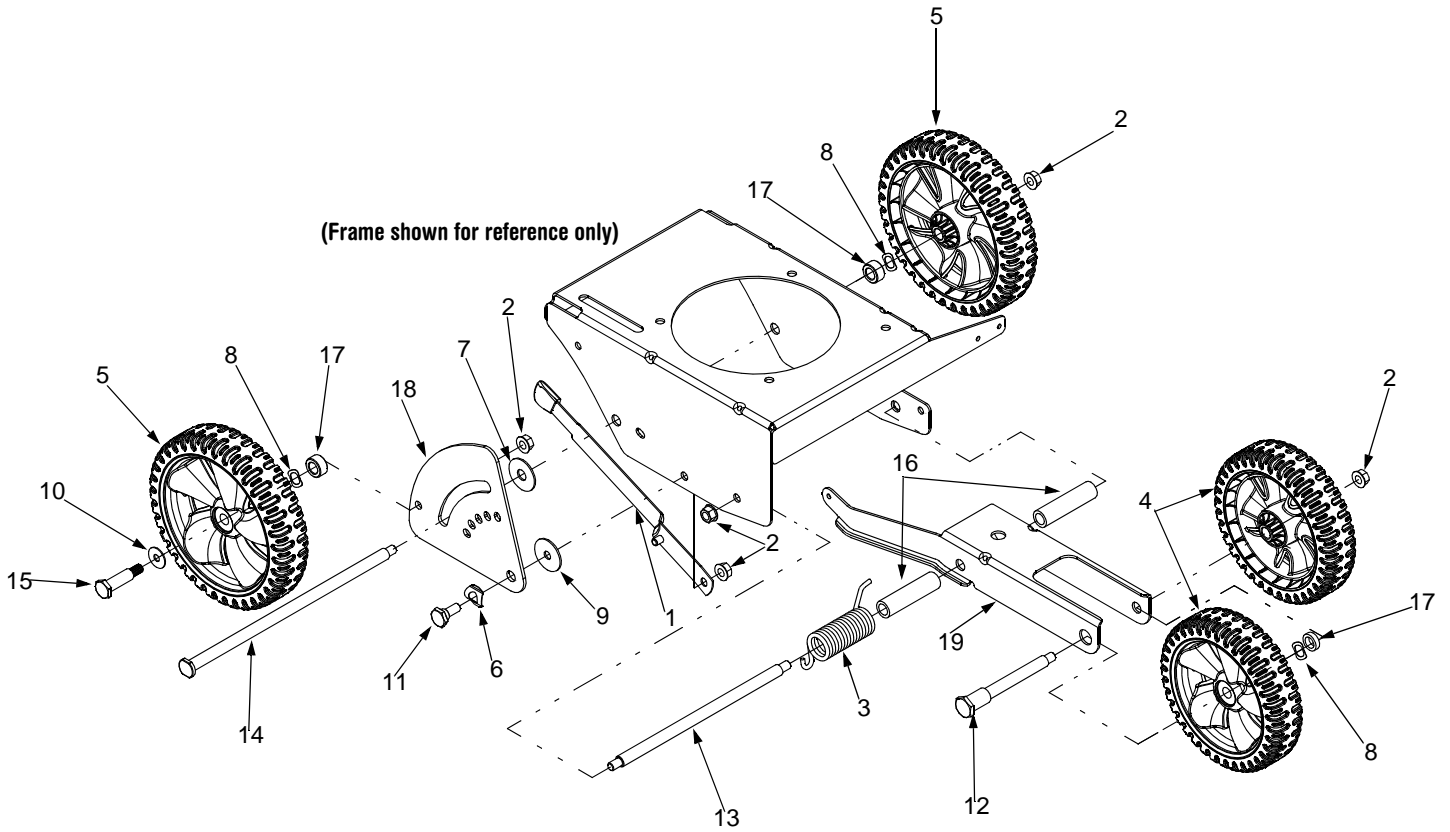


†If Equipped

V-BELTS are specially designed to engage and disengage safely. A substitute (non-OEM) V-Belt can be dangerous by not disengaging completely.

REF. NO.	PART NO.	DESCRIPTION	REF. NO.	PART NO.	DESCRIPTION
1	687-02019	Blade Plate Assembly	16	736-0317	Bell Washer, .63 ID x 1.2 OD
2	710-0395	Hex Screw, 5/16-18	17	736-3090	Flat Washer, .260 x .72
3	710-0599	Self-tapping Screw, 1/4-20	18	737-3000	Lube Fitting, 3/16
4	710-1143A	Hex Screw, 5/8-18	19	738-04025	Pin, 1/4-20
5	712-3004A	Hex Lock Nut, 5/16-18	20	741-0524	Bearing, .625 ID x 1.57 OD
6	712-3027	Hex Flange Nut, 1/4-20	21	747-04110	Blade Adjustment Rod
7	712-3056	Jam Nut, 5/8-18	22	736-04088	Flat Washer
8	714-3010	Cotter Pin	23	750-04105	Spacer, .63 x 1.12 x 1.06
9	718-04012	Bearing Cup	24	750-0547	Spacer, .632 ID x .875 OD
10	731-04158	Blade Guard	25	754-04032	Belt
11	731-04207	Bearing Block	26	756-0449	Sheave
12	732-04169	Compression Spring	27	781-0427	Spindle Belt Guard
13	732-0188A	Double Torsion Spring	28	781-0748	Tri Star Blade
14	736-0119	Lock Washer	29	787-01081	Index Bracket
15	736-0187	Flat Washer, .64 ID x 1.24 x .06	30.	736-04088	Flat Washer

Model 554 Wheel Assembly



REF. NO.	PART NO.	DESCRIPTION
1	687-02022	Curb Height Adjustment Lever
2	712-0431	Flange Lock Nut, 3/8-16
3	732-04045	Torsion Spring
4	734-1264	Wheel 7 x 1.75
5	734-1268	Wheel 8 x 1.75
6	736-0182	Spring Washer, .500 x 1.00
7	736-0208	Flat Washer, .51 ID x 1.5 OD
8	736-0232	Wave Washer, .531 ID x .781 OD
9	736-0234	Washer, .385 x 1.5
10	736-0326	Flat Washer, .510 x 1.00
11	738-0380	Shoulder Screw, .50 x .27
12	738-04036	Shoulder Screw, .50 x 4.62
13	738-04037	Shoulder Screw, .50 x 9.36, 3/8-16
14	738-04041	Shoulder Screw, .50 x 11.61
15	738-0527	Shoulder Screw, .498 x 2.045
16	750-04129	Spacer, .525 x .688
17	750-0664	Spacer, .505 ID x .88 OD
18	781-0100	Curb Height Adjuster Plate
19	787-01074	Wheel Bracket